

Self-propelled spreader for
granulated fertilizers and seeds

ACCURA ST



www.kuhnbrasil.com.br

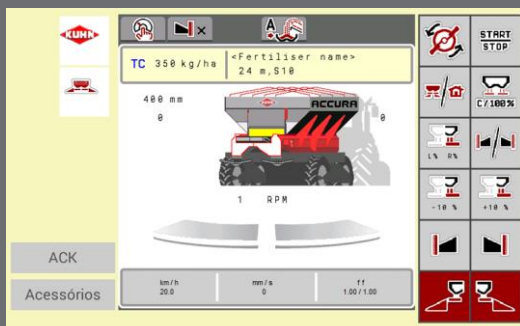


be strong, be KUHN

PERFECT SPREADING, LARGE APPLICATION WIDTH, LOWER CONSUMPTION

The partnership between the German company Rauch and KUHN, enabled the development of the ACCURA ST line, becoming an exclusive machine on the market.

The Rauch system is the most renowned fertilizer spreading system due to its high accuracy. With the most rigorous quality processes, the ACCURA ST spreader comes to change the concept of fertilizer spreading, extracting the maximum of the productivity potential of your crop. ACCURA ST, this leaves no flaws.



RAUCH spreader software



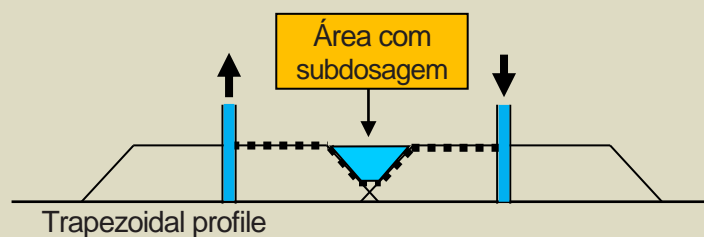
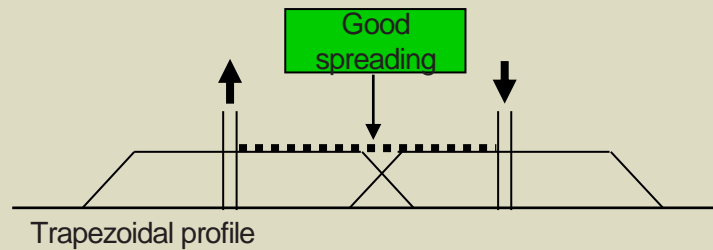
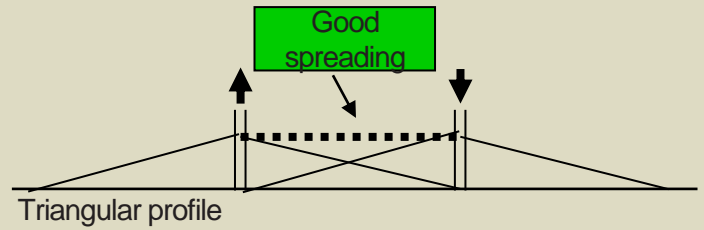
Model	Hopper	Working width	Products
ACCURA ST 5000	5m ³	42 m (potassium chloride)	Granulated fertilizers and fodder seeds
ACCURA ST 7000	7m ³		

TRIANGULAR SPREADER PROFILE

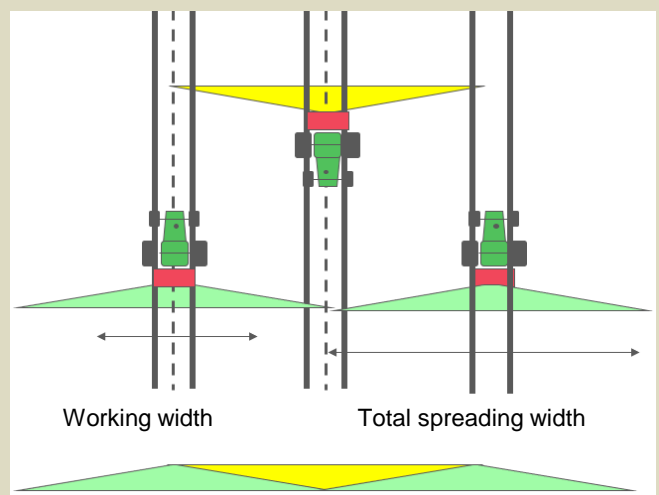
It provides a uniform spreading, guaranteeing real gains in productivity as it reduces the impact of driving errors, inadequate adjustments, waste of inputs, intoxication and lodging of plants due to excess fertilizers.



The exclusive spreader system, provides greater uniformity when compared to the trapezoidal profile existing in competing models.



We can conclude that a variation of the spreading related to the quality of the fertilizer, precision of the adjustment, wind speed, conduction errors, among others, will be attenuated with a principle of triangular spreading, in contrast to the trapezoidal profile.



NEW GFX-750 AND NAV-900 SET

The 10.1-inch GFX-750 monitor features the intuitive Precision-IQ environment, in addition, it can transfer files between the vehicle and the office quickly and easily, with built-in Wi-Fi and Bluetooth. Accompanies the GNSS receiver NAV-900, which allows greater signal stability. It monitors more constellations and a larger number of satellites, enabling more efficient performance in difficult environments.



ENGINE – 220 ou 260 cv

Equipped with a 220 cv MWM electronic engine in the 5 m³ version and 260 cv in the 7 m³ version, with turbo intercooler to guarantee high performance and lower diesel consumption, in addition to lower maintenance costs throughout its useful life. It has a diesel boost system: a power reserve that comes into effect immediately in the event of overloads, causing the engine to react quickly.



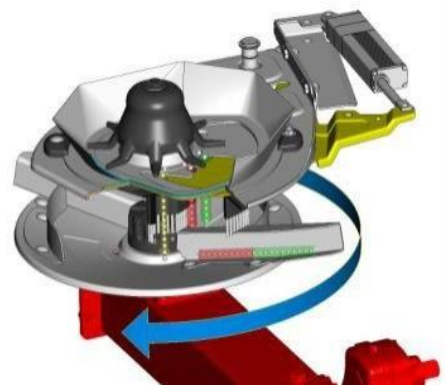
HOPPER

Hopper and chassis made of stainless steel. Capacity ranging from 5 m³ to 7 m³. Equipped with easy-to-remove sieves, they prevent the passage of cobbled fertilizers, increasing the useful life of the belt and maintaining uniformity of spreading. Deflectors distribute the weight of the fertilizer, reducing the load on the conveyor. With a wide platform to facilitate the operator's access to the main hopper.



COAXIAL DISTRIBUTION ADJUSTMENT - CDA

The spreading width adjustment system allows quick adaptation to various fertilizers and working widths, adjusting the fertilizer deposition point on the spreading discs. It is an extremely ergonomic system, which does not require the adjustment of the blade of the discs. The floodgates are designed close to the center of the discs, allowing multiple points of supply for the reeds. This helps to ensure a constant flow of fertilization and a uniform pattern.



BELT FREE SYSTEM - BF

In BELT FREE SYSTEM, the belt only works when necessary. It powers a 130-liter control hopper, equipped with two sensors that calculate the maximum and minimum amount of product in that hopper. When necessary, the software identifies the minimum amount and begins to rotate the belt, feeding the hopper and guaranteeing the constant dose in the spreading discs, according to the opening of the metering gate.

COAXIAL DISTRIBUTION ADJUSTMENT (CDA) SYSTEM

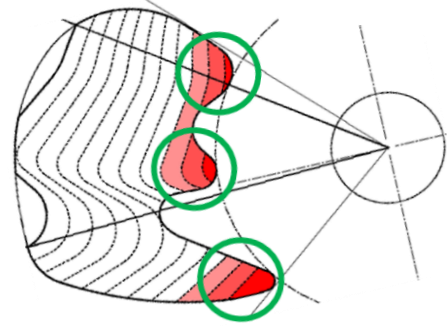
EXCLUSIVE AGITADOR

Low rotation (17 rpm) with axial movement, prevents the mechanical damage of the grains, preserves their particles, preventing the formation and dissipation of dust during application.



EXCLUSIVE OUTLET

The progressive opening of the outlet causes a variation in the angle of action of the vanes of the distribution discs. This opening is responsible for uniform distribution in high or low doses.



DRIVING BRUSH

It avoids the segregation of the particles of the material during the application guaranteeing a correct deposition on the disk, resulting in a better uniformity of the distribution profile.



SPEEDSERVO

Electromechanical actuator, used to open the gate and determine the dose of the product. It works 2.5 times faster than linear actuators, improving the reaction time to work with variable rates.



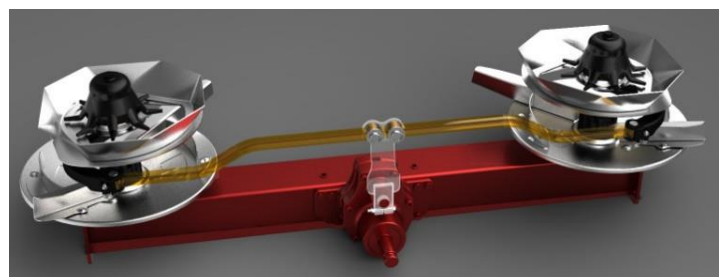
DIRECT FLOW CONTROL - DFC

Calibration is done by lateral adjustment, facilitating access. Safe system, as there is no contact of the operator directly with the fertilizer or seed.



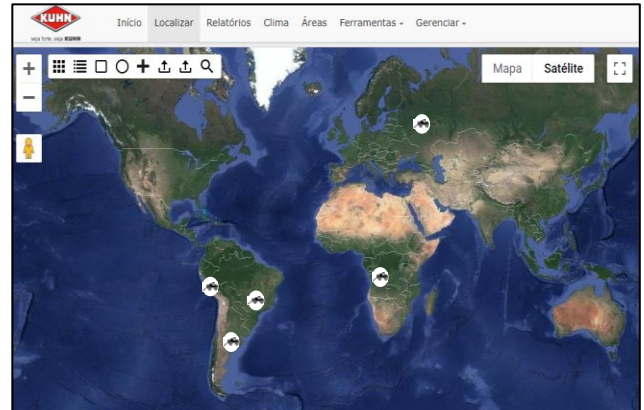
INTEGRATED TRANSMISSION

The entire transmission set working in harmonious synchrony, ensuring perfect distribution of the fertilizer. Gearbox bathed in maintenance-free oil.



KUHN TELEMETRY - INFORMATION FOR YOUR DECISION MAKING

KUHN Telemetry is a Digital Agriculture tool that assists in making decisions to optimize performance and extend the life of your machines. The information can be accessed by smartphone or computer, and everything is shown in an intuitive and simple way.



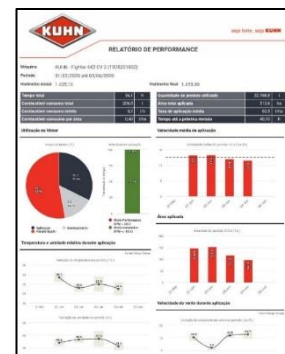
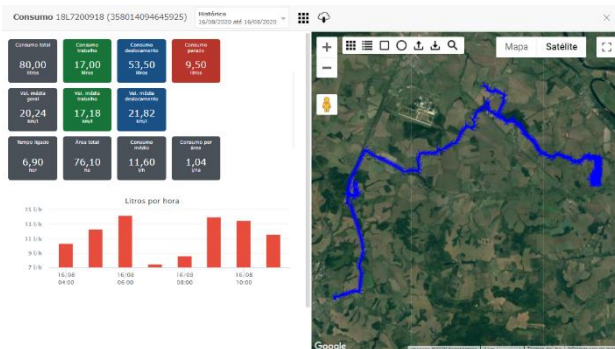
Map - machine monitoring

BEST OPERATING INCOME

Diagnosing important failures in a timely manner, through machine alert reports, both on the website and in the application, will allow you to take actions to reduce downtime and possible equipment damage.

CUSTOMIZED REPORTS

Operational reports, detailing the amount of product applied, diesel consumption, working speed, engine time, in short, various information that will help them to reduce costs, manage the fleet and optimize their productivity



KUHN PARTS

DESIGNED AND MANUFACTURED TO RIVAL TIME

KUHN foundries and forge as well as a high-level manufacturing process allow the production of spare parts to defy time. You can truly rely on our know-how and our genuine parts. Farmers benefit from our client support and logistics services via any KUHN PARTS warehouse, which provide quick and reliable repair solutions in cooperation with your nearest authorized KUHN dealer.






TECNICAL SPECIFICATIONS	ACCURA ST 5000	ACCURA ST 7000
Engine	MWM / 6.12 TCE	
Manufacturer / Model	MWM / 6.12 TCE	
Engine power	220cv (optional 260cv)	260cv
Transmission	Hidrostatic 4x4	
Type	Hidrostatic 4x4	
Hopper		
Capacity	5.000L ou 5m ³	7.000L ou 7m ³
Material	Stainless steel	
Spreading System		
Application rate (kg)	15 a 600 *	
Disc material	Stainless steel	
Disc activation	Hydraulic	
Outlet activation	Speedservo - electromechanical actuator	
Material of the vans	Stainless steel and hard coating	
Disc S6 VXR (24-36 m)	◆	
Disc S8 VXR (30-36 m)	◆	
Disc S10 VXR (36-40 m)	◆	
Disc S12 VXR (39-42 m)	◆	
Precision agriculture		
GPS and automatic spreading control	◆	
Section control	◆	
Hydraulic autopilot	◆	
Chassis		
Tires	IF340/85R38 (optional IF380/90R46)	IF380/90R46
Suspension system	Active pneumatic springs	
Ground clearance (m)	1,73	1,33
Wheel track (m)	Hydraulic adjustable from 2,80 to 3,50	
Lenght (m)	8,77	
Width (m)	3,20	
Height (m)	4,48	4,03
Fuel tank capacity (L)	300	
Weigth (kg)	10.500	

* depending on the conditions of the fertilizer (humidity, particle size, density), distribution speed and wind

- ◆ Standard
- ◇ Optional

For more information on KUHN products visit:
www.kuhnbrasil.com.br

 www.kuhnbrasil.com	<p>KUHN dealer</p>
--	--------------------

KUHN MONTANA INDÚSTRIA DE MÁQUINAS S.A.
 Francisco Dal Negro St., 3400 – São José dos Pinhais

Our material is produced in accordance with the European Machinery Directive in the member states of the European Union. In countries outside the E.U., our machinery complies with the safety regulations set by the country concerned. Some safety devices may have been removed from our leaflets in order to clarify the illustration. Under no circumstances should the machine be operated without the necessary safety devices in place (as specified by the assembly instructions and operators manual). We reserve the right to change any designs, specifications or materials listed without further notice. Machines and equipment in this document can be covered by at least one patent and/or registered design. Trademarks cited in this document may be registered in one or several countries.

Also find KUHN
 on social networks



Self-propelled fertiliser spreader ACCURA ST

 kuhn.com/en/crop/fertiliser-spreaders/self-propelled-spreaders/accura-st



Perfect spread of fertilisers and seeds

With a reservoir of 5 or 7 m³, this self-propelled fertiliser spreader works with precision in an application range of up to 42 m, with regulation that stands out for its easy handling.

Find a distributor near you



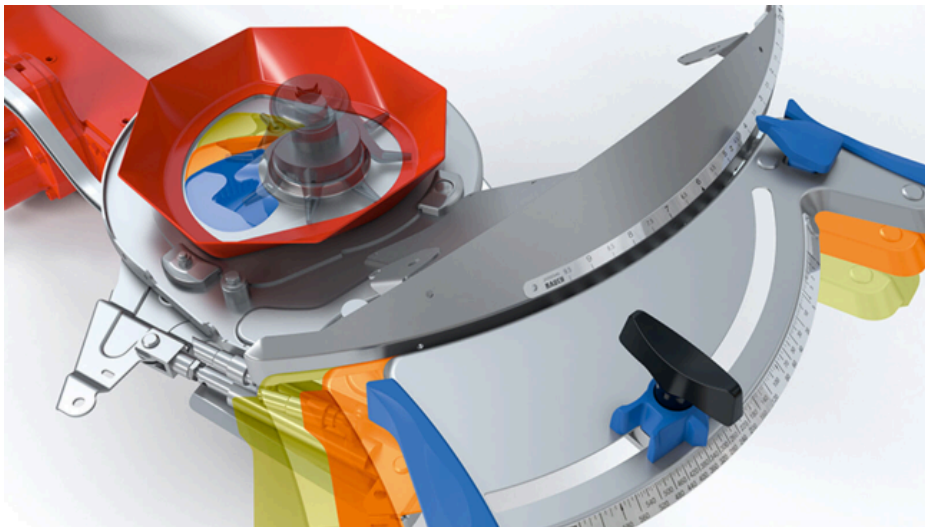
- Benefits
- Equipment
- Specifications
- Media

The self-propelled fertilizer spreader Accura ST works with a distribution range of up to 42 meters, equipped with an electronic motor of 220 hp in the 5 m³ version and 260 hp in the 7 m³ version. To minimize the corrosive effect of fertilizer, its hopper is made of stainless steel, as well as its chassis, platform and handrail. Besides, it has the Belt Free system, which ensures constant feeding of the spreading discs, in addition to the exclusive Coaxial Distribution Adjustment System (CDA) to facilitate application rate regulation and to perform accurate fertilizer and seed spreading.



Your benefits

Coaxial distribution adjustment system - CDA



CDA: unmatched accuracy

Different fertilizers, variable application rates, multiple working widths - your fertilizer spreader must adapt quickly to different needs. The coaxial distribution adjustment system - CDA, part of the Accura ST fertilizer spreader, helps address these challenges by providing easy adjustments. There are two important features that make the CDA system unique: ## NewLine##

1. At the base of the hopper, the outlet allows quick adaptation to various fertilizers and working widths, adjusting the fertilizer drop point on the distribution discs.
2. Specially designed measuring sockets, close to the center of the discs, allow multiple supply points on the blades, ensuring a constant fertilizer flow and a uniform pattern. In addition, the working width can be changed in a few seconds: just rotate the hopper base to change the fertilizer drop point on the disc. This operation is simple and does not require the use of tools.

Extra-slow agitator

The Accura ST fertilizer spreader is equipped with a unique type of agitator, 100% sealed, which regulates the supply of fertilizer and seeds to the machine's outlets, providing improved distribution flow. Besides, the agitators used in the Accura ST preserve the fertilizer's physical characteristics, as they rotate at just 17 rpm. Granules are handled smoothly, significantly reducing mechanical damage, in addition to preventing the formation of dust. The preservation of the fertilizer's characteristics is extremely important, as it allows the system to achieve perfect spreading.



More accuracy with the Accura ST guiding brush

Adjustment of the uniform spreading pattern takes place by means of a lever that adjusts the fertilizer drop point on the spreading disc. To ensure an accurate drop point, guiding brushes accompany the fertilizer flow until it drops onto the pallets. These brushes are already assembled in the distributor's coaxial spread adjustment system - CDA, thus, they do not require adjustments for each equipment use, ensuring its integrity. They are also important because, in addition to minimizing the influence of the wind and preventing the fertilizer from bouncing off the disc, they prevent the segregation of particles during application.



Reduced turbulence

The harmonic alignment of Airfins deflectors on Accura ST self-propelled fertilizer and seed spreader discs reduces unwanted air turbulence generated by rotating discs, ensuring smooth and accurate distribution, even with pressure sensitive granules. In addition, grain crushing or breaking effects are reduced to a minimum, while the high disc speed is maintained, ensuring that the grain or seed reaches an ideal initial speed. Accura 14000 fixed blades also work to ensure spreading precision and uniformity: even the most delicate fertilizer is able to maintain its flight properties. It is noteworthy that all distribution discs available for the Accura 14000 have these characteristics, what varies is the size of the blade that determines the application width.



Equipment



Rear camera

The rear camera helps during a parallel park easing the maneuvers and avoiding collisions on obstacles. Furthermore, it helps to avoid accidents and also hitting because it allows the operator to have visibility on the space behind the machine.



Rear camera

The rear camera helps during a parallel park easing the maneuvers and avoiding collisions on obstacles. Furthermore, it helps to avoid accidents and also hitting because it allows the operator to have visibility on the space behind the machine.



Rear camera

The rear camera helps during a parallel park easing the maneuvers and avoiding collisions on obstacles. Furthermore, it helps to avoid accidents and also hitting because it allows the operator to have visibility on the space behind the machine.

Rear camera



Specifications

Technical characteristics

Engine

Engine power (Kw)

Fuel tank capacity (L)

Ground clearance (m)

Height (m)

Hopper height (m)

Hopper capacity (L)

Hopper material

Length (m)

Minimum and maximum application rate (Kg/ha)

Precision agriculture

Suspension system

Transmission

Tires

Weight (Kg)

Wheel track (m)

Width (m)

ACCURA 5000 ST

ACCURA 7000 ST

MWM 7,2 liters turbo

MWM 7,2 liters turbo

161,8 / 191,2 (Optional)

191,2

300

300

1,58 (R38 tires) / 1,69 (R46 tires)

1,24

4,19 (R38 tires) / 4,30 (R46 tires)

3,80

3,47 (R38 tires) / 3,58 (R46 tires)

3,33

5.000

7.000

ACCURA 5000 ST**ACCURA 7000 ST**

Stainless steel

Stainless steel

8,77

8,77

From 10 kg/ha to 3.000 kg/ha

From 10 kg/ha to 3.000 kg/ha

GPS, automatic spread control, section control, hydraulic auto steering, fixed and variable rate

GPS, automatic spread control, section control, hydraulic auto steering, fixed and variable rate

Active pneumatic springs

Active pneumatic springs

Hydrostatic - Full time 4WD - double pump

Hydrostatic - Full time 4WD - double pump

IF340/85 R38 / IF380/90 R46

IF380/90 R46

10.500

10.500

Hydraulic adjustable from 2,80 to 3,50

Hydraulic adjustable from 2,80 to 3,50

3,30

3,30

Media
